

(21) Application No: **2210372.5**
 (22) Date of Filing: **14.07.2022**

(51) INT CL:
A61M 39/10 (2006.01) **A61M 27/00** (2006.01)
A61M 39/02 (2006.01) **A61M 39/04** (2006.01)
A61M 39/24 (2006.01)

(71) Applicant(s):
The Nottingham Trent University
(Incorporated in the United Kingdom)
50 Shakespeare Street, Nottingham, NG1 4FQ,
United Kingdom

(56) Documents Cited:
EP 1217284 A1 **US 20190143094 A1**
US 20150157849 A1

(72) Inventor(s):
Philip Breedon
Martin Beed
Joshua Wright
Luke Siena
Joseph Meeks

(58) Field of Search:
 INT CL **A61M**
 Other: **WPI, EPODOC**

(74) Agent and/or Address for Service:
Barker Brettell LLP
100 Hagley Road, Edgbaston, BIRMINGHAM,
B16 8QQ, United Kingdom

(54) Title of the Invention: **Chest drain connector**
 Abstract Title: **Breakaway chest drain connector**

(57) A chest drain connector 204 comprising a first part 204a having an inlet connecting to an upstream portion 202a of a chest drain tube, a one way valve 207 and a first flange 213 surrounding the valve. A second part has an outlet 206 connecting to a downstream portion 202b of the chest tube, and a second flange 214 surrounding a hollow protrusion 209. The first and second parts are connectable by securing the first flange to the second flange such that the hollow protrusion passes through the valve to form an uninterrupted flow path from inlet to the outlet through the protrusion along a longitudinal axis 217 of the connector. The first and second flanges are separable by applying a longitudinal separation force above a defined threshold. The connector may be part of a kit including a collection vessel and a chest drain tube.

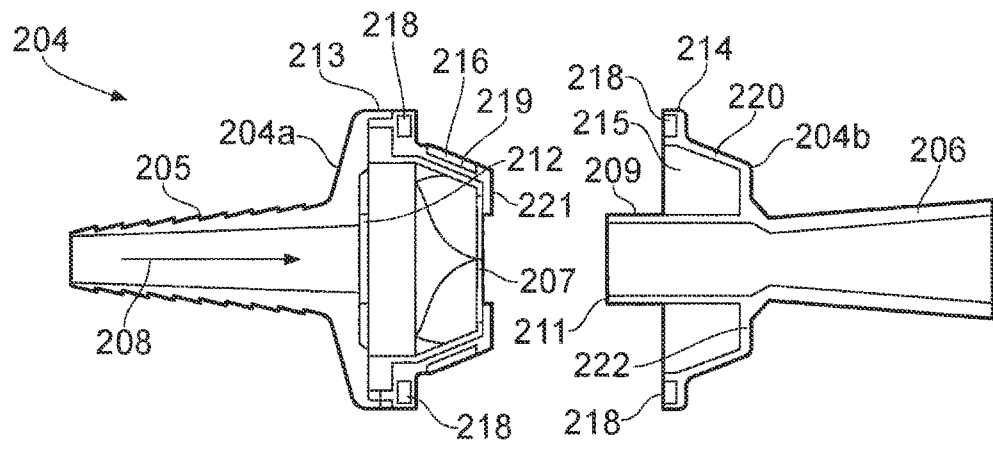


FIG. 3a

GB 2620624 A

At least one drawing originally filed was informal and the print reproduced here is taken from a later filed formal copy.

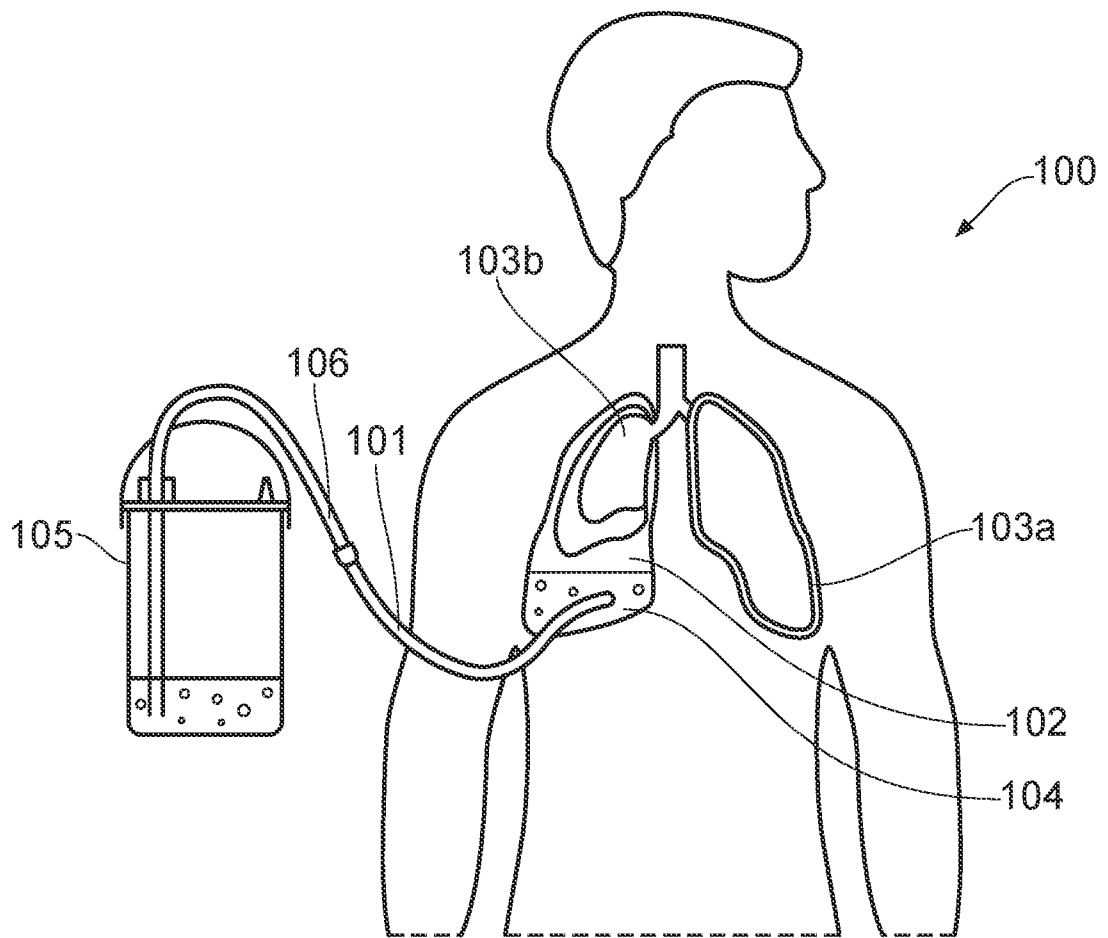


FIG. 1

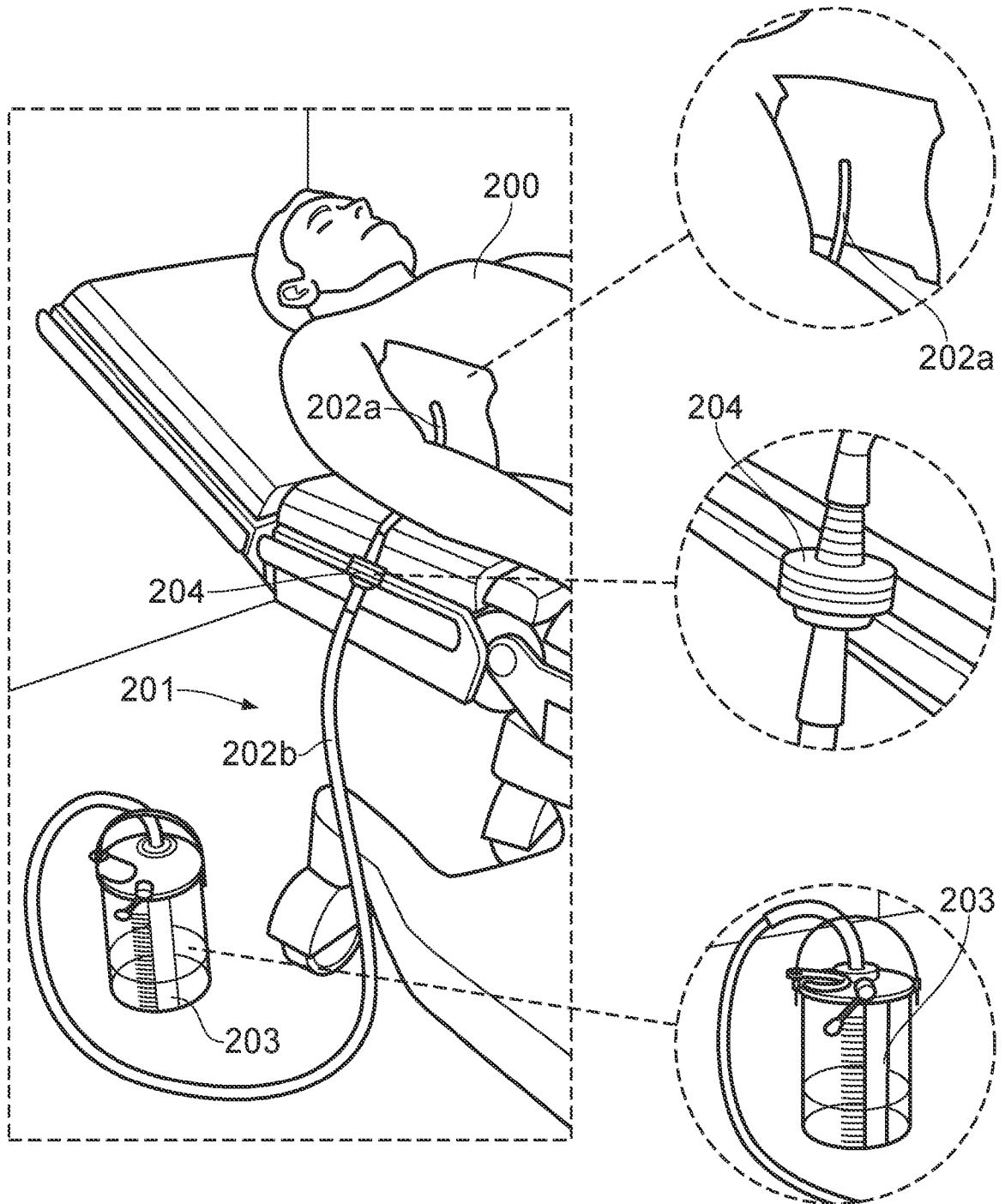


FIG. 2

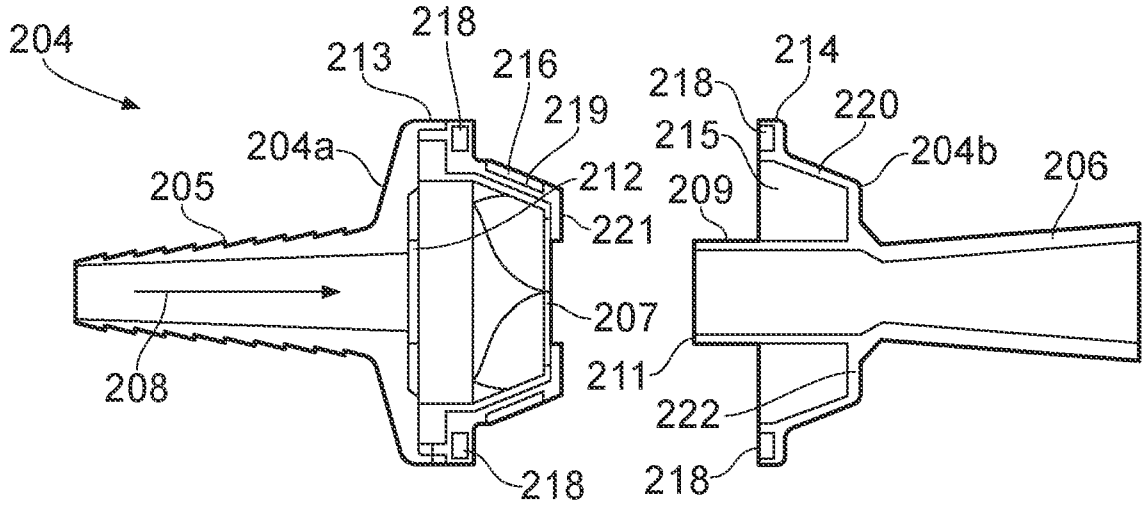


FIG. 3a

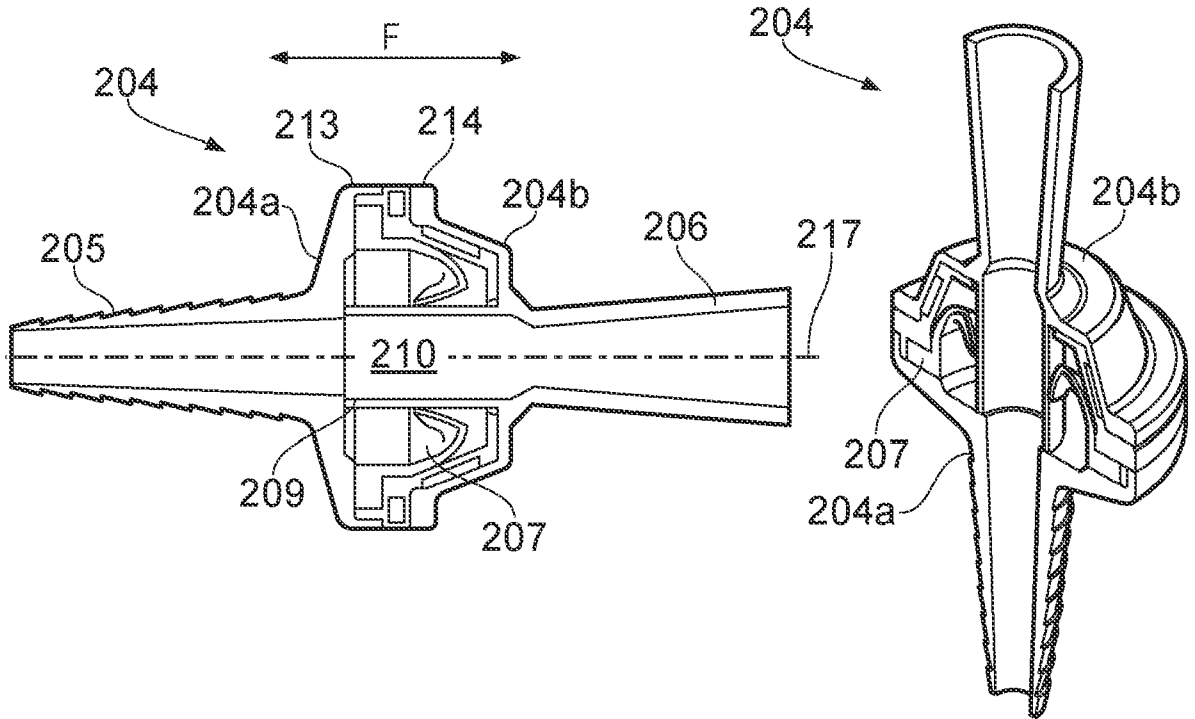
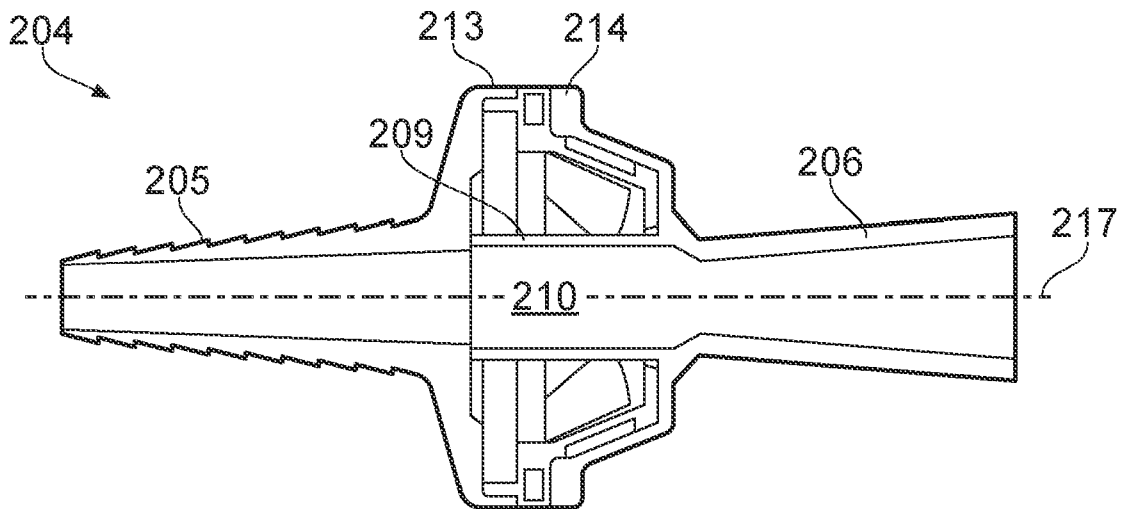
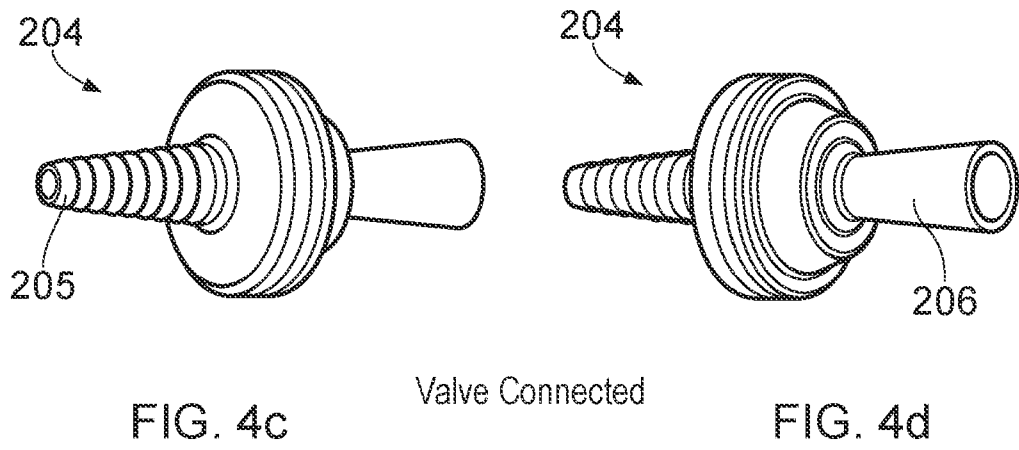
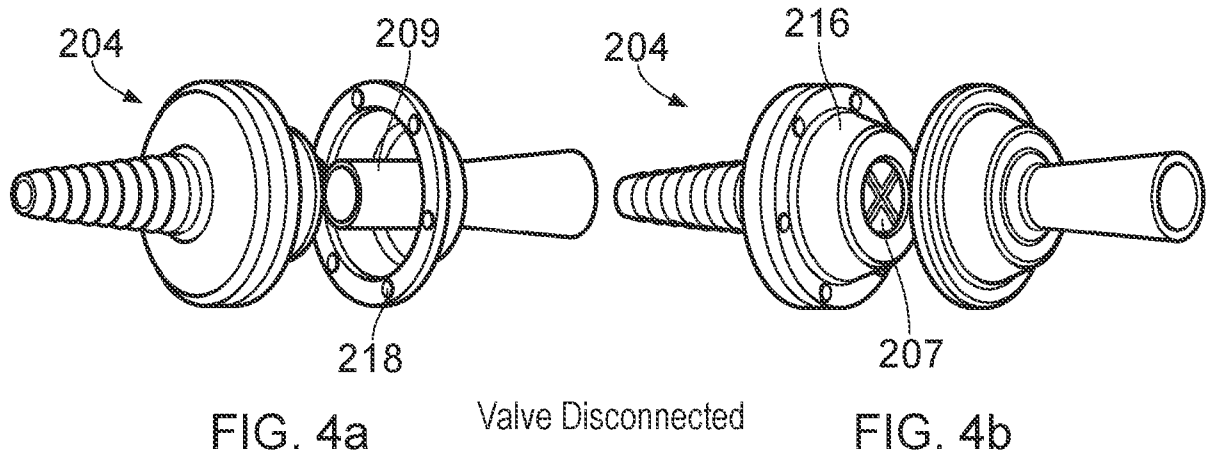


FIG. 3b



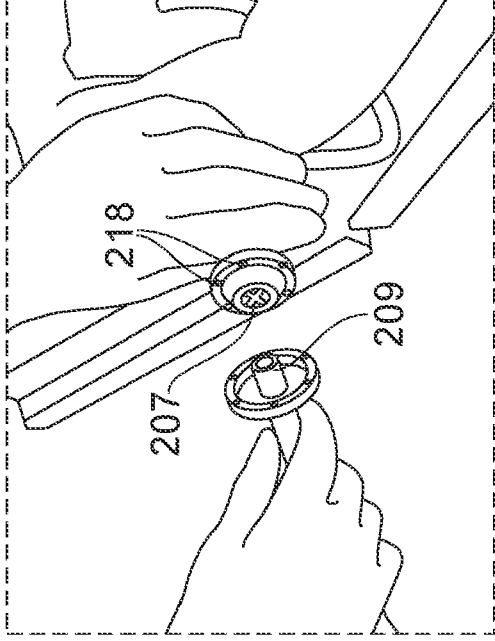
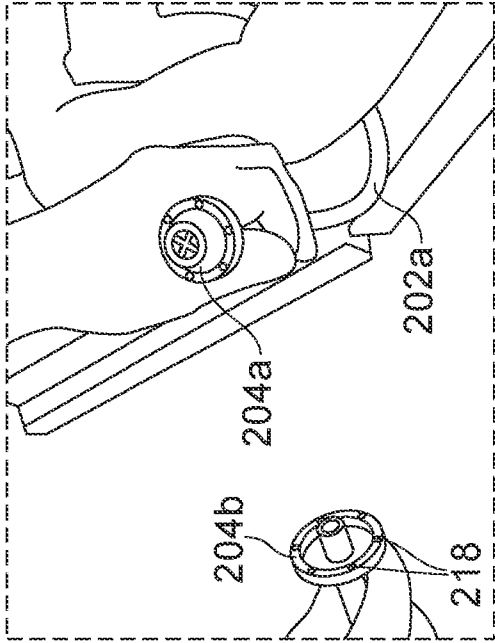


FIG. 6a

FIG. 6b

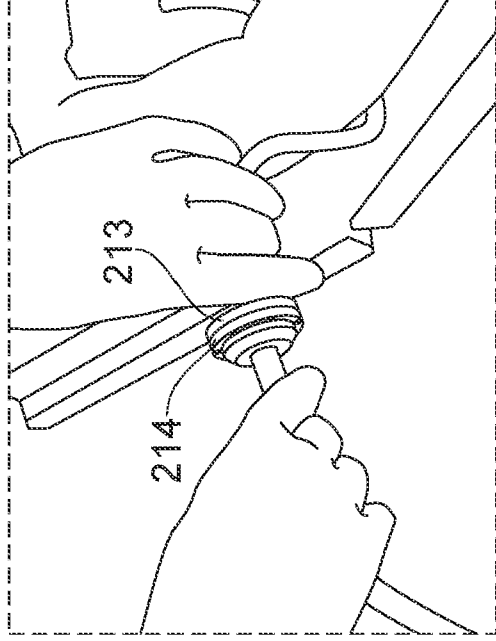
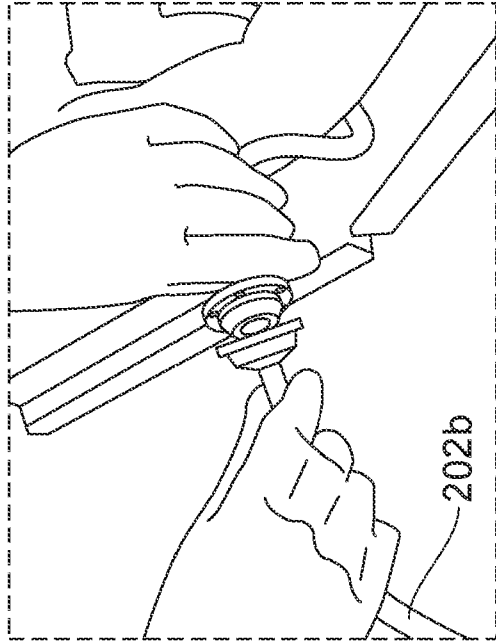


FIG. 6c

FIG. 6d

CHEST DRAIN CONNECTOR

Field of the Invention

The invention relates to a breakaway chest drain connector.

5 Background

A chest drain, also known as a pleural or intercostal drain (ICD), is a medical tube inserted between the ribs into the space between the lung and internal chest wall (the pleural cavity). Fluid, i.e. air and liquid, can leak into the space around the lung after infection or injury. This can be drained using a chest drain, allowing the lung to re-
10 expand. It is estimated that world-wide over one million chest drains are inserted annually, with a minimum estimate of at least thirty thousand inserted within the UK each year.

Chest drains are usually held in place by being stitched to the chest skin. However, in
15 some cases chest drains can be accidentally moved or pulled out, which can be painful for the patient as well as being dangerous due to the possibility of air re-entering the patient and collapsing the lung again, as well as an increased risk of infection. Whenever a chest drain is pulled out it must be replaced, resulting in more discomfort for the patient, after which the patient must have another X-ray to ensure that the chest tube is
20 correctly located. This all results in additional burdens on the patient and on treatment time and costs.

Sutures can reduce the chance of the chest tube being pulled out, but there is still around
25 a 7% chance of accidental removal. A balloon ICD may be used to more securely fasten the chest drain in the patient, but if dislodged this can result in a larger hole at the point of incision, requiring further repair and risk of adverse events. Portable chest drains may reduce the risk of removal, but tend to have smaller capacities and are not suitable for when a chest drain needs to be kept in for a prolonged period to drain large amounts of fluid.

30

Drain displacement affects both Seldinger chest drains (smaller, 12-14 French gauge drains inserted using a needle and guidewire system) as well as larger 24-32 French gauge drains that require a surgical incision for insertion of the tube. Regardless of the size used, most drains have a one-way valve incorporated into the collecting system.

The most common system used is a bottle with a water trap, which allows fluid to drain from the chest whilst preventing air from re-entering. The bottle must be positioned lower than the patient's chest to allow gravity to drain the pleural cavity. This requires long tubing connecting the drain to the bottle, which can easily become caught and dislodged when moving a patient, resulting in the chest drain itself coming under tension.

Summary of the Invention

According to a first aspect there is provided a chest drain connector comprising:

10 a first part having an inlet for connecting to an upstream portion of a chest drain tube, a one-way valve and a first flange surrounding the one-way valve;

a second part having an outlet for connecting to a downstream portion of the chest tube, a second flange and a hollow protrusion, the second flange surrounding the hollow protrusion,

15 wherein the second part is connectable to the first part by securing the first flange to the second flange such that the hollow protrusion passes through the one-way valve to form an uninterrupted fluid flow passage from the inlet through the hollow protrusion and the outlet along a longitudinal axis of the connector, the first and second flanges being separable by applying a longitudinal separation force above a defined
20 threshold separation force.

The connection between the first and second flanges creates a weak point along the chest drain tube so that, if the tubing becomes caught, for example while a patient is being moved, the chest drain separates safely by separating the first and second parts.
25 Once the connector has broken away, the one-way valve operates to allow fluid to pass through the first part of the connector while preventing air from entering. The chest drain can then be simply reconnected to the drainage bottle to continue draining the pleural cavity.

30 With the first and second parts connected to each other, the hollow protrusion of the second part passes through and bypasses the one-way valve, allowing free flow of fluids through the connector. When the first and second parts are separated from each other, the one-way valve in the first part closes and allows fluids to pass through the first part in only one direction, i.e. from the first part to the second part and, when in use, away
35 from the patient. The hollow protrusion of the second part, when the second part is

disconnected from the first part, is partially shrouded by the second flange, thereby reducing the possibility of contamination when the first and second parts are disconnected and then reconnected.

- 5 The one-way valve may be in the form of a slit valve, for example a cross-slit valve.

The chest drain connector may comprise a gasket configured to provide a fluid seal between the first and second parts when connected.

- 10 The first part may comprise a conical portion surrounding the one-way valve and the second part a conical portion surrounding the hollow protrusion, an outer surface of the conical portion of the first part configured to seal against an inner surface of the conical portion of the second part. The, or a, gasket may be provided on the outer surface of the conical portion of the first part and/or on the inner surface of the conical portion of the
15 second part. The, or a, gasket may alternatively be provided on an outer end face of the conical portion of the first part and/or an inner end face of the conical portion of the second part.

- 20 Securing the first flange to the second flange allows the first and second parts to be separated with a defined separation force. In some examples, the first and/or second flange may comprise one or more magnets such that the first and second flanges are magnetically connectable to each other. In some examples, one or both of the first and second flanges comprise a plurality of magnets arranged around a periphery of the flange. The use of magnets allows for the separation force to be designed such that the
25 first and second parts separate from each other if a force above a predefined threshold is applied. The threshold separation force may for example be above around 5N, for example above around 10N or between around 5N and 20N. The separation force should be sufficiently high to maintain connection of the first and second parts during normal use but allow the first and second parts to become separated without risking the chest
30 drain tube becoming dislodged from the patient. The plurality of magnets may for example be neodymium iron boride magnets, which may have a diameter of between around 1 and 3 mm. A 1 mm diameter N42 grade neodymium based magnet can, for example achieve a separation force of around 0.2N, while a 3 mm diameter magnet can achieve a separation force of around 2N. The choice of type, size and number of magnets
35 used can therefore enable a defined separation force to be achieved. An array of six

3mm diameter magnets around each of the first and second flanges may for example provide for a separation force of around 12N.

5 In other examples, the first and second flanges may be connectable to each other using one or more releasable catches configured to separate if a longitudinal separation force above the predefined threshold is applied between the first and second parts and configured to allow the first and second parts to be reconnectable. Such releasable and reconnectable catches may for example have the form of flexible protrusions extending from the first and/or second flanges that provide a push fit connection between the first and second parts. Separation of the first and second parts may be achieved by pulling 10 apart the connector along the longitudinal axis and the parts can be reconnected by pushing the parts together. The separation force using such releasable catches may be designed by design of the flexible protrusions.

15 An advantage of using either magnets or flexible releasable catches is that a definite connection between the first and second parts can be felt by the user as the parts are assembled together, with a definite click provided when pushing the parts together so that the user is confident that the parts are secured.

20 The inlet of the first part may be configured to connect to the upstream portion of the chest drain tube by securing the inlet within the upstream portion of the chest drain tube. An outer surface of the inlet may have a tapered barbed shape.

The outlet of the second part may have a tapered inner surface for connecting to an outer 25 surface of the downstream portion of the chest drain tube, for example to a barbed connector on the downstream portion of the chest drain tube. The outlet may alternatively have an outer surface with a tapered barbed shape for securing the outlet within the downstream portion of the chest drain tube.

30 According to a second aspect, there is provided a chest drain kit, comprising:
a fluid collection vessel;
a chest drain tube having an upstream portion for securing to a patient and a downstream portion for securing to the fluid collection vessel; and
a chest drain connector according to the first aspect.

According to a third aspect there is provided a method of assembling a chest drain kit, the method comprising:

- providing a chest drain kit according to the second aspect;
- connecting the first part of the chest drain connector to the upstream portion of the chest drain tube;
- connecting the second part of the chest drain connector to the downstream portion of the chest drain tube;
- connecting the downstream portion of the chest drain tube to the fluid collection vessel; and
- connecting the first and second parts of the chest drain connector together.

The method may further comprise separating the chest drain connector by applying a longitudinal separation force above the defined threshold separation force.

- The method may further comprise securing the upstream portion of the chest drain tube to a patient to drain fluid from the patient's pleural cavity.

Detailed Description

The invention is described in further detail below by way of example and with reference to the accompanying drawings, in which:

- figure 1 is a schematic diagram of a chest drain tube attached to a patient;
- figure 2 is a photograph of a dummy patient with an installed chest drain tube, showing detailed views of a breakaway chest drain tube connector, bottle and sutured connection to the patient;
- figures 3a and 3b are cross-sectional diagrams of an example breakaway chest drain tube connector with first and second parts separated and connected;
- figures 4a-4d are drawings of an example breakaway chest drain tube connector from different perspectives;
- figure 5 is a cross-sectional drawing of an example breakaway chest drain tube connector; and
- figures 6a-d are photographs illustrating a method of assembling an example breakaway chest drain tube connector.

Figure 1 illustrates a patient 100 with a chest tube 101 inserted into the pleural cavity 102 of one of the patient's lungs 103a, 103b, the lung 103b having collapsed. Fluid

including air and liquid 104 is collecting in the pleural cavity 102 and needs to be drained. The chest tube 101 is secured to the patient 100 and extends into the pleural cavity 102 to enable the fluid to be drained through the tube 102 and into a collection vessel 105 via a collection tube 106. As described in the background section above, a
5 problem with this arrangement is that the chest tube 101 can become dislodged from the patient 100 if the patient is moved or rolls over, requiring the tube 101 to be reattached and creating injury as well as a risk of infection.

Figure 2 is a photograph of a dummy patient 200 with an example chest drain assembly
10 201 attached. The chest drain assembly 201 comprises a chest drain tube having an upstream portion 202a and a downstream portion 202b, the downstream portion 202b attached to a fluid collection vessel 203 and the upstream portion 202a sutured to the patient 200 and passing into the patient's pleural cavity. A breakaway chest drain connector 204 connects the upstream and downstream portions 202a, 202b of the chest
15 drain tube. Detailed views of the upstream portion 202a, connector 204 and collection vessel 203 are shown alongside the main photograph. The chest drain assembly 201 may be provided as a chest drain kit, with the upstream and downstream portions 202a, 202b of the chest tube provided with the collection vessel 203 and a chest drain connector 204.

20

Figure 3 illustrates cross-sectional views of the example breakaway chest drain connector 204, with the connector 204 shown separated in figure 3a and connected in figure 3b. The connector 204 comprises a first part 204a and a second part 204b. The first part 204a has an inlet 205 for connection to the upstream portion 202a of the chest
25 drain tube. The second part 204b has an outlet 206 for connection to the downstream portion 202b of the chest drain tube. A one-way valve 207 in the first part 204a allows fluid to flow through the first part 204a in a downstream direction 208 when the first and second parts 204a, 204b are separated. A hollow protrusion 209 in the second part 204b is configured to pass through the one-way valve 207 when the first and second
30 parts 204a, 204b are connected, as shown in figure 3b, thereby bypassing the one-way valve 207 and forming an uninterrupted flow passage 210 from the inlet 205 through the hollow protrusion 209 and the outlet 206 along a longitudinal axis 217 of the connector 204. As illustrated in figure 3b, the one-way valve 207 is inverted by the hollow protrusion 209 when the first and second parts 204a, 204b of the connector are
35 connected together. The one-way valve 207 therefore needs to be sufficiently flexible

to invert, requiring the one-way valve 207 to be made from a flexible material such as a silicone rubber. As more clearly illustrated in figure 4b, the one-way valve 207 may be a cross-slit valve, i.e. with two transverse slits across the face of the valve 207. This arrangement allows the valve to be more easily opened compared to a single slit valve, providing less resistance to the hollow protrusion 209 of the second part 204b being inserted when the connector is assembled.

With the first and second parts 204a, 204b connected, an upstream end 211 of the hollow protrusion 209 seals against a downstream end 212 of the inlet 205 to form the uninterrupted flow passage 210. When connected to the upstream and downstream parts 202a, 202b of the chest tube, the connector 204 thereby provides little or no restriction to fluid flow between the patient at one end of the chest tube and the collection vessel at the other end, with the collection vessel providing a non-return valve, typically with a water trap as described above. However, when the connector 204 is separated, the one-way valve 207 closes so that the first part 204a prevents fluid (particularly air) from flowing upstream towards the patient but still allowing fluid to flow downstream through the first part 204a while the second part 204b is disconnected.

The first part 204a comprises a first flange 213 surrounding the one-way valve 207 and the second part 204b comprises a second flange 214 surrounding the hollow protrusion 209. The first and second flanges 213, 214 are arranged to secure the first and second parts 204a, 204b to each other when the connector 204 is connected, as shown in figure 3b. The second flange 214 defines a cavity 215 within which the one-way valve 207 is contained when the first and second parts 204a, 204b are connected. The first part 204a comprises a gasket 216 between the one-way valve 207 and the first flange 213, which secures the one-way valve 207 to the first part 204a and provides a fluid seal around the one-way valve 207 when the first and second parts 204a, 204b are connected. In alternative examples a gasket may be provided on the second part 204b or may be provided on both parts 204a, 204b. In the illustrated example of Figures 3a and 3b, the gasket 216 is provided on an outer surface of a conical portion 219 of the first part 204a surrounding the one-way valve 207. An inner surface of a corresponding conical portion 220 of the second part 204b is configured to seal against the outer surface of the conical portion 219 of the first part, with the gasket 216 providing a fluid seal between the parts 204a, 204b. In alternative examples, a gasket may be provided on the inner surface of the conical portion 220 of the second part. The conical portions 219, 220 serve to allow

the parts 204a, 204b to be more easily connected together, ensuring that the connection aligns the longitudinal axis 217 of the parts when connected. The conical portion 220 of the second part also serves to partially shroud the hollow protrusion 209 when the parts 204a, 204b are disconnected, reducing the possibility of contamination.

5

A gasket may also or alternatively be provided on an outer end face 221 of the conical portion 219 of the first part 204a and/or on an inner end face 222 of the conical portion 220 of the second part 204b to provide a fluid seal between the first and second parts 204a, 204b when the parts are connected.

10

An advantage of the second flange 214 surrounding the hollow protrusion 209 is that the hollow protrusion 209 is partially shrouded by the second flange 214 when the second part 204b is disconnected. This reduces the risk of contamination of the fluid passage through the second part 204b when the parts are disconnected.

15

With the first and second parts 204a, 204b connected, the first and second flanges 213, 214 are secured together to maintain the connector 204 in the configuration shown in figure 3b, allowing free flow of fluid from the patient through the connector 204. The connector 204 can be separated if a separation force F is applied along the longitudinal axis 217 of the connector 204 that is sufficient to break the connection between the flanges 213, 214, i.e. is above a defined threshold separation force.

20

The threshold separation force keeping the parts 204a, 204b together may be provided by a magnetic attraction between the first and second parts 204a, 204b. One or more magnets 218 on the first and/or second parts 204a, 204b may be provided to secure the first and second flanges 213, 214 together. In some arrangements, magnets 218 may be provided in both parts 204a, 204b, with the magnets 218 being oriented to attract each other, i.e. with opposing poles facing each other upon bringing the flanges 213, 214 together. In other arrangements, one of the flanges 213, 214 may comprise one or more magnets while the other flange comprises one or more corresponding ferritic portions. To increase the separation force while minimising weight and volume of the parts, multiple high strength magnets, such as neodymium iron boride magnets, may be used on each part 204a, 204b. In a particular example, multiple magnets provided on each part 204a, 204b together provide an attraction requiring a separation force of greater than around 10N. Other examples may require a different separation force threshold, for

35

example greater than around 5N or between around 5N and 20N, which can be adjusted by adjusting the number and strength of magnets provided on each part 204a, 204b. The magnets 218 may be encased in plastic or embedded within the flange 213, 214 to secure and shield the magnets.

5

In alternative examples, a threshold separation force may be achieved by securing the parts 204a, 204b together mechanically rather than magnetically. This may, for example, be achieved using one or more releasable catches that are configured to separate if a longitudinal separation force above a defined threshold force is applied.

10 An advantage of using magnetic attraction, however, is that the threshold separation force can be reliably repeatable and the surfaces of the parts 204a, 204b are simpler to keep clean with less scope for contaminants.

The inlet 205 of the connector 204 as shown in figures 3 and 4, has an outer surface that
15 has a tapered barbed shape, also known as a ‘christmas tree’ coupling, which enables the inlet 205 to be secured within the upstream portion of the chest drain tube. The outlet 206 of the connector 204 shown in figures 3 and 4 has a tapered inner surface that enables an outer surface of the downstream portion of the chest drain tube to be secured within the outlet 206. The outlet 206 may have an inverted ‘christmas tree’ form, i.e.
20 with an inverse tapered barbed shape to that of the inlet 205. Other alternative arrangements for the inlet 205 and outlet 206 may be provided for connection to the upstream and downstream portions of the chest drain tube.

Figure 5 illustrates the chest drain connector 204 with the first and second parts 204a,
25 204b connected, forming an interrupted fluid flow channel 210 along a longitudinal axis from the inlet 205 through the hollow protrusion 209 and the outlet 206. The first and second flanges 213, 214 are connected together such that the hollow protrusion 209 passes through the one-way valve to form the uninterrupted flow passage 210.

30 Figures 6a-d are a series of photographs illustrating a connector 204 being assembled from first and second parts 204a, 204b, either during installation of a chest drain kit or after disconnection of the connector 204 following movement of the patient. The first part 204a is connected to the upstream portion 202a of the chest drain tube and the second part 204b is connected to the downstream portion 202b of the chest drain tube.
35 In figure 6a the parts 204a, 204b are separated from one another ready to be assembled.

In figures 6b the parts 204a, 204b are brought together and in figure 6c the hollow protrusion 209 of the second part is pushed through the one-way valve 207 of the first part until, in figure 6d, the parts 204a, 204b are brought into contact as the flanges 213, 214 connect together, in this case using a corresponding plurality of magnets 218 around
5 the periphery of each flange 213, 214. The chest drain is then ready for use, or continued use, with the connector 204 providing an uninterrupted flow passage from the upstream portion 202a to the downstream portion 202b through to a chest drain collection vessel connected to the end of the downstream portion 202b.

10 Other embodiments are intentionally within the scope of the invention, which is defined by the appended claims.

CLAIMS

1. A chest drain connector (204) comprising:
 - 5 a first part (204a) having an inlet (205) for connecting to an upstream portion (202a) of a chest drain tube, a one-way valve (207) and a first flange (213) surrounding the one-way valve (207);
 - a second part (204b) having an outlet (206) for connecting to a downstream portion (202b) of the chest tube, a second flange (214) and a hollow protrusion (209), the second flange (214) surrounding the hollow protrusion (209),
 - 10 wherein the second part (204b) is connectable to the first part (204a) by securing the first flange (213) to the second flange (214) such that the hollow protrusion (209) passes through the one-way valve (207) to form an uninterrupted fluid flow passage (210) from the inlet (205) through the hollow protrusion (209) and the outlet (206) along a longitudinal axis (217) of the connector (204), the first and second flanges (213, 214) being separable by applying a longitudinal separation force (F) above a defined
 - 15 threshold separation force.

2. The chest drain connector (204) of claim 1, wherein the one-way valve (207) comprises a slit valve.
- 20 3. The chest drain connector (204) of claim 2, wherein the slit valve is a cross-slit valve.

4. The chest drain connector (204) of any preceding claim comprising a gasket (216) configured to provide a fluid seal between the first and second parts (204a, 204b) when connected.

5. The chest drain connector (204) of claim 4, wherein the first part (204a) comprises a conical portion (219) surrounding the one-way valve (207) and the second
- 30 part comprises a conical portion (220) surrounding the hollow protrusion (209), an outer surface of the conical portion (219) of the first part (204a) configured to seal against an inner surface of the conical portion (220) of the second part (204b).

6. The chest drain connector (204) of claim 5, wherein the gasket (216) of provided on the outer surface of the conical portion (219) of the first part and/or on the inner surface of the conical portion (220) of the second part (204b).
- 5 7. The chest drain connector (204) of claim 5, wherein the gasket is provided on an outer end face (221) of the conical portion (219) of the first part (204a) and/or an inner end face (222) of the conical portion (220) of the second part (204b).
8. The chest drain connector (204) of any preceding claim, wherein an upstream end (211) of the hollow protrusion (209) seals against a downstream end (212) of the inlet (205) to provide the uninterrupted fluid flow passage when the first and second parts (204a, 204b) are connected.
- 10 9. The chest drain connector (204) of any preceding claim wherein the first and/or second flange (213, 214) comprises one or more magnets (218) such that the first and second flanges (213, 214) are magnetically connectable to each other.
- 15 10. The chest drain connector (204) of claim 9 wherein one or both of the first and second parts (204a, 204b) comprise a plurality of magnets (218) arranged around a periphery of the flange (213, 214).
- 20 11. The chest drain connector (204) of claim 9 or claim 10, wherein the one or more magnets (218) are neodymium iron boride magnets.
- 25 12. The chest drain connector (204) of any one of claims 1 to 8 wherein the first and second flanges (213, 214) are connectable to each other using one or more releasable catches configured to separate on applying a longitudinal separation force above the predefined threshold separation force.
- 30 13. The chest drain connector (204) of any preceding claim, wherein the threshold separation force is above around 5N or above around 10N
14. The chest drain connector (204) of claim 13, wherein the threshold separation force is between around 5N and 20N.

15. The chest drain connector (204) of any preceding claim, wherein the inlet (205) is configured to connect to the upstream portion (202a) of the chest drain tube by securing within the upstream portion (202a) of the chest drain tube.

5 16. The chest drain connector (204) of claim 15 wherein an outer surface of the inlet has a tapered barbed shape.

17. The chest drain connector (204) of any preceding claim, wherein the outlet (206) has a tapered inner surface for connecting to an outer surface of the downstream portion (202b) of the chest drain tube.
10

18. The chest drain connector (204) of any one of claims 1 to 16, wherein the outlet (206) has an outer surface with a tapered barbed shape for securing the outlet within the downstream portion (202b) of the chest drain tube.
15

19. A chest drain kit (201), comprising:
a fluid collection vessel (203);
a chest drain tube having an upstream portion (202a) for securing to a patient (200) and a downstream portion (202b) for securing to the fluid collection vessel (203);
20 and
a chest drain connector (204) according to any one of claims 1 to 18.

20. A method of assembling a chest drain kit (201), the method comprising:
providing a chest drain kit (201) according to claim 19;
25 connecting the first part (204a) of the chest drain connector (204) to the upstream portion (202a) of the chest drain tube;
connecting the second part (204b) of the chest drain connector (204) to the downstream portion (202b) of the chest drain tube;
connecting the downstream portion (202b) of the chest drain tube to the fluid
30 collection vessel (203); and
connecting the first and second parts (204a, 204b) of the chest drain connector (204) together.

21. The method of claim 20, further comprising separating the chest drain connector (204) by applying a longitudinal separation force above the defined threshold separation force.
- 5 22. The method of claim 20 or claim 21, further comprising securing the upstream portion (202a) of the chest drain tube to a patient (200) to drain fluid from the patient's pleural cavity.



Application No: GB2210372.5

Examiner: Alexander Bartrip

Claims searched: 1-21

Date of search: 20 December 2022

Patents Act 1977: Search Report under Section 17

Documents considered to be relevant:

Category	Relevant to claims	Identity of document and passage or figure of particular relevance
X	1-21	US 2019/143094 A1 (MERIT MEDICAL SYSTEMS) See figures 4A-B in particular, chest drainage coupler having a valve 130 and a hollow protrusion 182 extending therethrough.
X	1-21	EP 1217284 A1 (TERUMO) See figures 1-8B in particular, tube connector comprising a one way valve 3 and a hollow protrusion 4.
X	1-21	US 2015/157849 A1 (APPLIED MED TECH) See figures, tube connector having one way valve 500 and hollow protrusion 210.

Categories:

X	Document indicating lack of novelty or inventive step	A	Document indicating technological background and/or state of the art.
Y	Document indicating lack of inventive step if combined with one or more other documents of same category.	P	Document published on or after the declared priority date but before the filing date of this invention.
&	Member of the same patent family	E	Patent document published on or after, but with priority date earlier than, the filing date of this application.

Field of Search:

Search of GB, EP, WO & US patent documents classified in the following areas of the UKC^X :

--

Worldwide search of patent documents classified in the following areas of the IPC

A61M

The following online and other databases have been used in the preparation of this search report

WPI, EPODOC

International Classification:

Subclass	Subgroup	Valid From
A61M	0039/10	01/01/2006
A61M	0027/00	01/01/2006
A61M	0039/02	01/01/2006
A61M	0039/04	01/01/2006
A61M	0039/24	01/01/2006